

Macchina

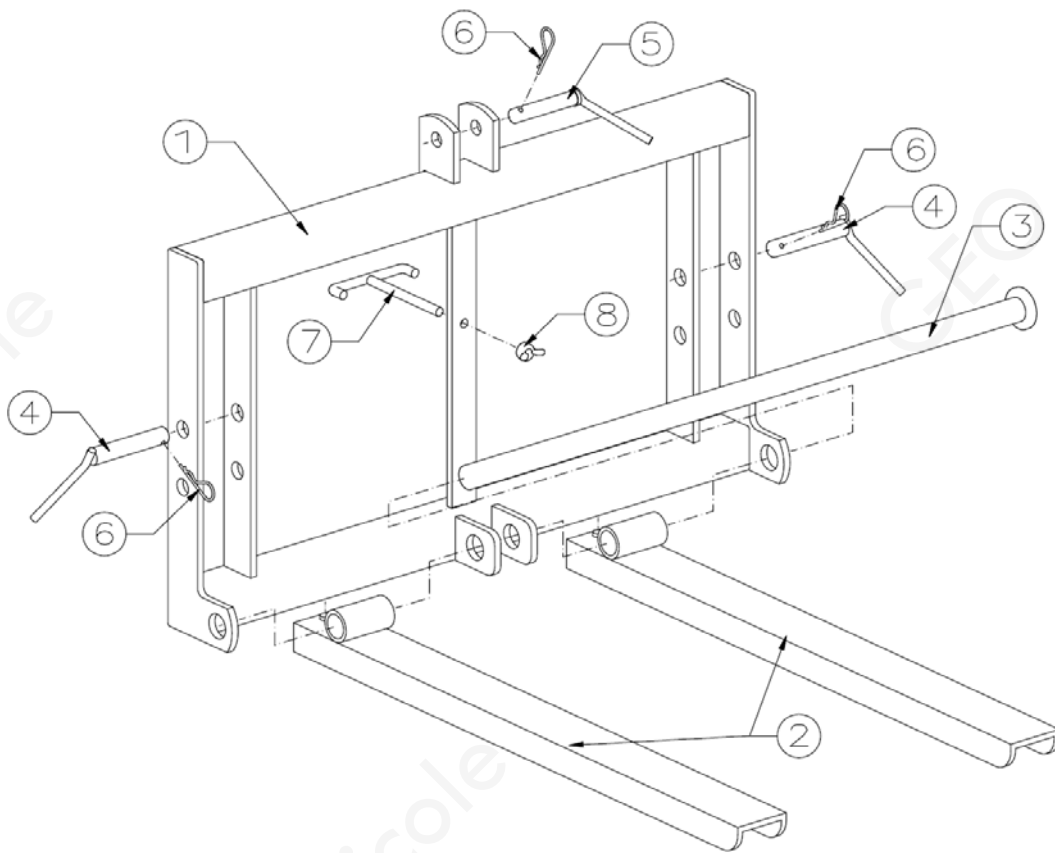
FT



Sezione

1

FT



SerNo	PartNo	Description	Quantity
1	Tube	60X60	2
2	Forks	U TUBE	2
3	Axle	Ring axle	1
4	Bolts	CAT I or II	2
5	Top Bolts	CAT I or II	1
6	Pin	Normal	1