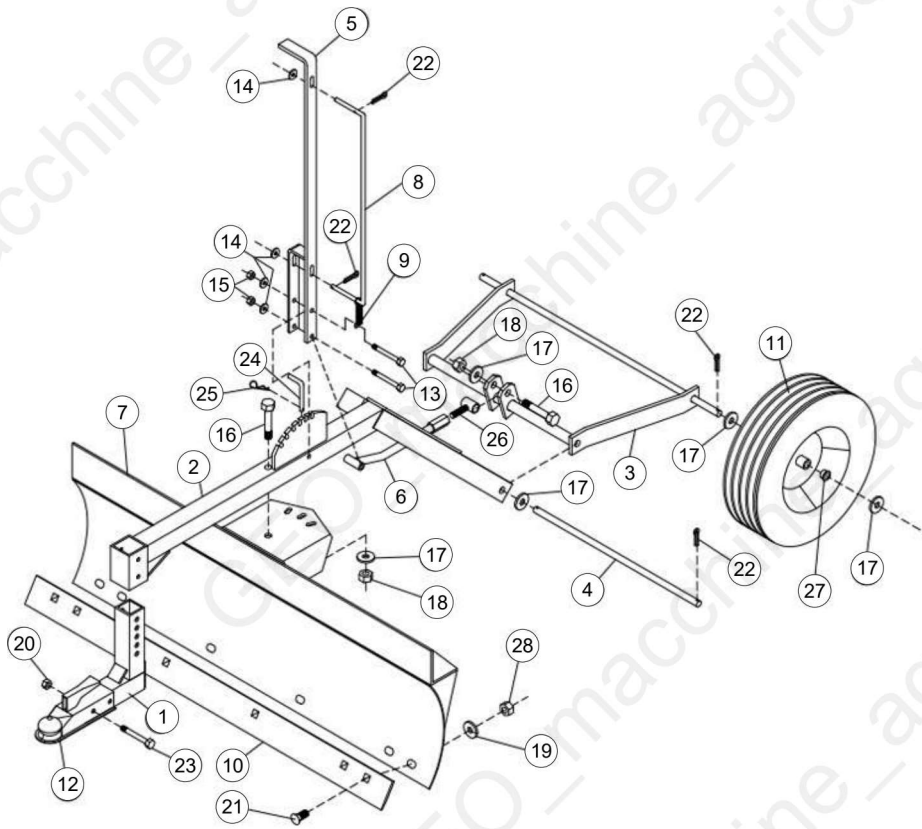


Assembly: ATV_BLD



GEO Italy S.R.L.

Via G. Abbate, 215, 14054 Castagnole delle Lanze AT

Page 3

Machine: ATV_BLD

Assembly: ATV_BLD



Pos	Code	Description	NOTE	Q.
1	ATV.BL.001	HITCH ADJUSTMENT WELDMENT		1
2	ATV.BL.002	MAIN FRAME WELDMENT		1
3	ATV.BL.003	WHEEL CARRIAGE WELDMENT		1
4	ATV.BL.004	PIVOT PIN (WHEEL CARRIAGE)		1
5	ATV.BL.005	LIFT ADJUSTMENT HANDLE WELDMENT		1
6	ATV.BL.006	WHEEL CARRIAGE ADJUSTMENT ARM WELDMENT		1
7	ATV.BL.007	MOLDBOARD,		1
8	ATV.BL.008	DEPTH ADJUSTMENT LOCK		1
9	ATV.BL.009	EXTENSION SPRING		1
10	ATV.BL.010	CUTTING EDGE,		1
11	ATV.BL.011	WHEEL & TIRE ASSEMBLY, (INCLUDES BEARINGS) "		1
12	ATV.BL.012	BALL COUPLER, 1 7/8		1
13	ATV.BL.013	HEX BOLT, 3/8"X 3 1/2" GR. 5		1
14	ATV.BL.014	FLAT WASHER, 3/8"		1
15	ATV.BL.015	HEX LOCK NUT, 3/8" WITH NYLON INSERT		1
16	ATV.BL.016	HEX BOLT, 5/8"X 3 1/2" GR. 5		1
17	ATV.BL.017	FLAT WASHER, 5/8"		1
18	ATV.BL.018	HEX LOCK NUT, 5/8" WITH NYLON INSERT		1
19	ATV.BL.019	LOCK WASHER, 5/8"		1
20	ATV.BL.020	FLANGE NUT, 3/8"		1
21	ATV.BL.021	PLOW BOLT, 5/8"X 11/2"		1
22	ATV.BL.022	COTTER PIN, 5/32"X 2"		1
23	ATV.BL.023	HEX BOLT, 3/8"X 3" GR. 2		1
24	ATV.BL.024	PULL PIN		1
25	ATV.BL.025	HAIR PIN		1

GEO Italy S.R.L.

Via G. Abbate, 215, 14054 Castagnole delle Lanze AT

Page 4

Machine: ATV_BLD

Assembly: ATV_BLD



Pos	Code	Description	NOTE	Q.
26	ATV.BL.026	ADJUSTABLE PIVOT BRACKET WELDMENT		1
27	ATV.BL.027	WHEEL BEARING, 5/8"		1
28	ATV.BL.028	HEX NUT, 5/8"		1

GEO Italy S.R.L.

Via G. Abbate, 215, 14054 Castagnole delle Lanze AT

Page 5